

# EASIER ACCESS GREATER COMFORT

## The right tip for the right task

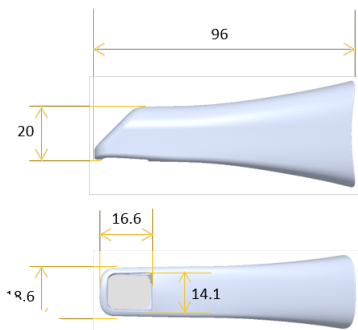
Not every part of a patient’s mouth is easy to access, which impacts comfort for both the patient and the practitioner. That’s why we created multiple options for our intraoral scanners. Unlike other scanners that have a single large tip, ours offer you three ergonomic choices to satisfy different clinical needs and user and patient preferences.

We’ve prepared this document to help you understand the differences between the tips and the best way to use them in your practice.

### Normal tip

The standard or normal tip is ideal for general scanning and is similar to the tip design of other intraoral scanners on the market. It is the most common choice for customers who have used a different brand of scanner in the past.

If you prefer to hold the scanner closer toward the tip using a “pen grip,” then the normal tip is ideal.



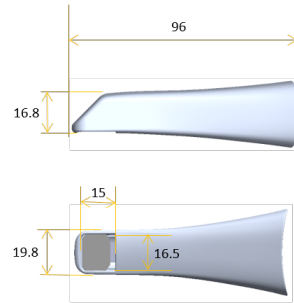
Normal Tip, CS 3600



### Side tip

The side-oriented tip is shorter and flatter, which makes it easier to position in the patient’s buccal region. Practitioners choose this tip for patients with thickened buccal mucosa or whose anatomy limits access to the buccal region.

The side tip also allows you to hold the scanner at a different angle, which can lessen the stress on your wrist in challenging buccal and lingual scanning situations. Changing the tip can allow you to minimize repetitive wrist movement while scanning. This tip is a great option for those who prefer hold the scanner with a palm grip instead of a pen grip.



Side Tip, CS 3600

### Posterior tip

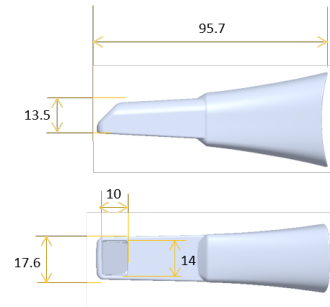
The posterior tip improves patient comfort and provides better access when scanning tight spaces due to its short 14 mm tip height. The posterior tip is not for general scanning; rather, it should be used for specific regions in the mouth, such as distal molar surfaces, and for patients with limited bite openings, trauma, or TMJ. It also improves access to subgingival areas of the preparation.



CS 3600 Posterior Tip Height vs. Leading Industry Turbine Head Size

	CS 3600 Posterior Tip	Turbine A	Turbine B	Turbine C	Turbine D
A	14.0 mm	12.9 mm	13.1 mm	14.8 mm	15.7 mm
B	14.0 mm	20.4 mm	20.6 mm	22.8 mm	22.7 mm

A - Height without bur  
B - Height with bur



Posterior Tip, CS 3600

The posterior tip is approximately the size of a turbine head without the bur in place. Most clinicians perform the initial scan with the standard or side-oriented tip and then change to the posterior tip to scan more challenging regions of interest.

### Cleaning the scanner tips in an automatic washer or disinfecter

Begin by rinsing the tips. Use a soft brush and an enzymatic detergent solution (e.g., Metrex EmPower) to clean all surfaces. Do not use rubbing alcohol, as it may damage the tip.

Run the cycle as per the manufacturer’s instructions. If the machine doesn’t have an automatic rinse cycle, be sure to rinse the tips thoroughly in clean water to remove any detergent residue.

Use a lens or lint-free cloth to remove any dust from the mirror, as paper towel or other cleaning cloths can damage the lens. Fold a 2x2-inch (5x5cm) 4-ply sterile non-woven gauze sponge in half and using a cotton swab, carefully insert the folded gauze into the tip window. Ensure that the mirror is fully covered by the gauze. To facilitate removal, leave an edge of gauze outside the tip window.



2 x 2 gauze on left,  
2 x 2 folded in half on right

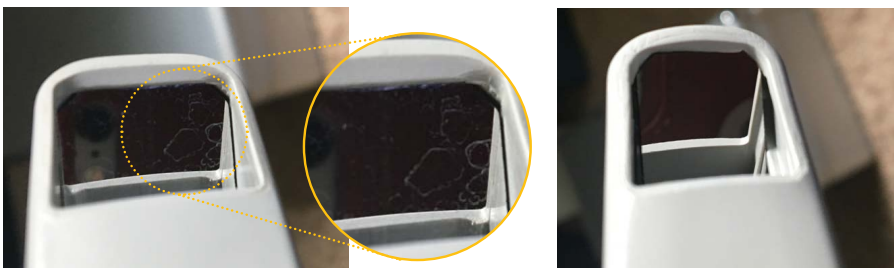
Folded gauze inserted into tip

Place the tip in an FDA cleared or CE mark sealed sterilization pouch. The pouch should be sealed air-tight. Use either a self-adhesive pouch or a heat-sealed pouch.

### Sterilizing the scanner tips

Scanner tips received from the manufacturer are NOT sterilized. You must sterilize the tips before the first use.

We have found you can autoclave the scanner tips up to 60 cycles if you wrap the tips in gauze and if the exposure in the autoclave is limited to 134°C for no more than 4 minutes. It is best for the tips to be dry when running through the autoclave.



Mirror with surface smudge

New Mirror with no smudges

### Identifying worn scanner tips

If all settings are correct on the scanner and computer and you are experiencing some slowing of the scans, be sure to check the tip as it may have surface smudges, marks or scratches on the mirror which can affect scan speed. If this is the case, it is best to try a new tip.

The adhesive on the back of the mirrors will sometimes wear over time and can also affect scan speed. Note that mirror wear and distortion is not always visually identifiable.

### Checking the metal anti-fog strip

For a fog-free scanning experience, tips typically take 60-90 seconds to warm when placed on the scanner. If you have waited the recommended time and the tip is still fogging up, check to see if the metal strip inside the tip is still present.

This strip is used to heat the mirror to prevent fogging. Occasionally the metal strip adhesive will wear and fall off after multiple sterilization cycles. If the metal strip is not present, select a new tip.



Anti-fog strip

### Ordering Tips

The CS 3600 comes with normal and side tips. Posterior tips and additional normal and side-oriented tips can be ordered from your Carestream Dental dealer or sales representative.

## INTRAORAL SCANNER TIP USAGE