

Award-winning System

The CS 8100 family has already received more than 15 international prizes, recognizing this best-selling unit for its user-friendly and compact design.



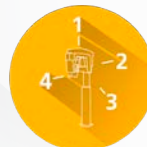
REDUCED METAL ARTIFACTS

Exclusive CS MAR¹ technology with live comparison drastically reduces metal artifacts for more confident diagnosis.



OUTSTANDING 2D IMAGES

Thanks to Tomosharp technology, the CS 8100 3D delivers panoramic, cephalometric and extraoral bitewing images with impressive sharpness.



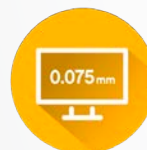
MULTI-FUNCTIONAL SYSTEM

The CS 8100 3D blends 2D panoramic technology and CBCT imaging with 3D model scanning to create one powerful unit.



POWERED BY CS IMAGING VERSION 8

The latest software platform provides you one-stop access to all your 2D images, 3D images and CAD/CAM data communication.



HIGH-RESOLUTION 3D IMAGES

The CS 8100 3D delivers ultra high-resolution images at 75 microns, ideal for endodontic needs, and new ANR algorithm reduces image noise while preserving clinical details.



ULTRA-COMPACT DESIGN

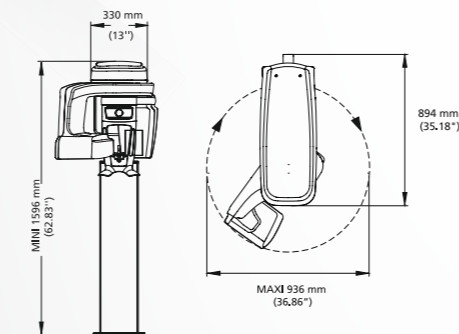
Compact enough to fit into any practice, the CS 8100 3D offers the benefits of panoramic and CBCT imaging without sacrificing valuable real estate.

TECHNICAL SPECIFICATIONS

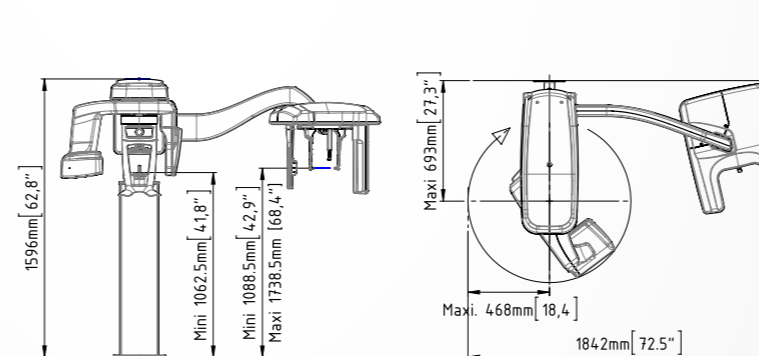
X-Ray Generator	
Tube voltage	60-90 kV
Tube current	2-15 mA
Frequency	140 kHz
Minimum required space	Without ceph arm: 1200 (L) x 1400 (D) x 2400 (H) mm With ceph arm: 2000 (L) x 1400 (D) x 2400 (H) mm
Weight	Without ceph arm: 95 kg (210 lb.) With ceph arm: 125kg (276 lb.)
3D Modality	
Field of view (FOV) - diameter x height (cm)	4 x 4 - 5 x 5 - 8 x 5 - 8 x 9 (in Ontario 8 x 8) ¹
Voxel size (µm)	75 µm minimum
Exposure time	3 to 15 sec
Panoramic Modality	
Magnification	1.2
Radiological exam options	Full panoramic, segmented panoramic (including bitewing segmented panoramic), maxillary sinus, LA TMJ x 2, LA TMJ x 4
Exposure time	2 to 14 seconds
Cephalometric Modality	
Magnification	1.13
Radiological exams	Lateral, frontal AP or PA, oblique, submento-vertex, carpus (optional)
Exposure time	2.9 to 11 seconds

¹ In Ontario (Canada), the use by dentists of FOVs over 8 x 8 cm is subject to conditions

CS 8100 3D WITHOUT CEPHALOMETRIC ARM



CS 8100 3D WITH CEPHALOMETRIC ARM



The Power of Simple CBCT

CS 8100 3D FAMILY / EVO EDITION



"While I do feel that the system is great, the strength is in the software. It is so intuitive. After one training session I felt very comfortable working with it."

Dr. Mark Anthony Limosani, DMD

Simplicity at Its Best

Carestream Dental's most successful 3D unit—the CS 8100 3D's Evo Edition—is now available with our latest high-end technologies delivering even better image clarity in all modalities. This simple 4-in-1 solution doesn't compromise on quality and is ideal for general dentists who want to benefit from in-office CBCT imaging with a system that covers all their everyday imaging needs and fits their budget.



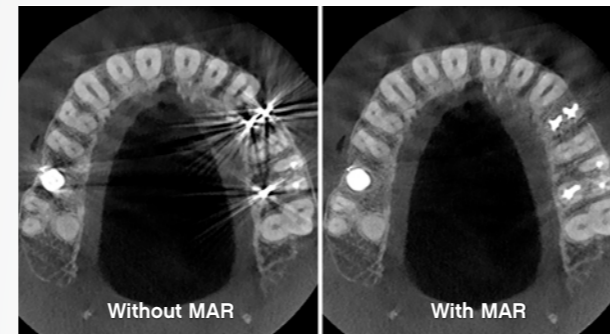
I used to refer patients out for 3D imaging, but I like the convenience of having the CS 8100 3D right in my office—and so do my patients. You don't know how important a 3D system is to your practice until you have it."

Dr. David Goteiner, D.D.S.

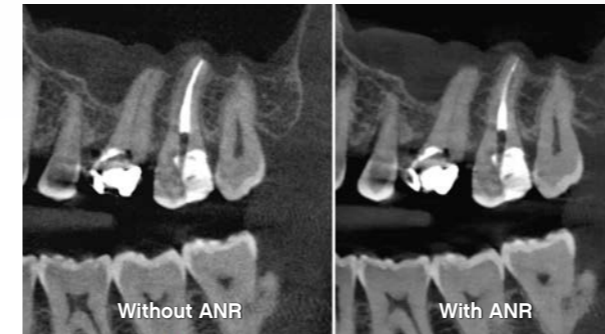


Clarity in all Modalities

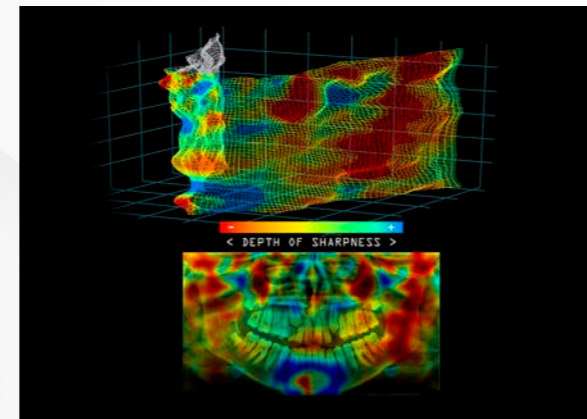
With its legendary ease of use and latest enhancements, the CS 8100 3D's Evo Edition delivers outstanding image clarity in all modalities offering great value and no compromise on quality.



Exclusive CS MAR¹ technology with a live comparison tool allows significant reduction of artifacts caused by implants, fillings or restorations.



Advanced Noise Reduction algorithmn significantly reduces image noise while preserving clinical details for improved perception of anatomical details.



When acquiring a panoramic image, new Tomosharp technology recognizes the area where the anatomy is the sharpest and reconstructs the best possible panoramic image automatically. The result? Crystal-clear images are captured systematically.



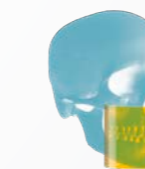
4 cm x 4 cm



5 cm x 5 cm



8 cm x 5 cm



8 cm x 9 cm*

With four selectable fields of view, you can obtain the ideal image for each individual exam, at the lowest dose.

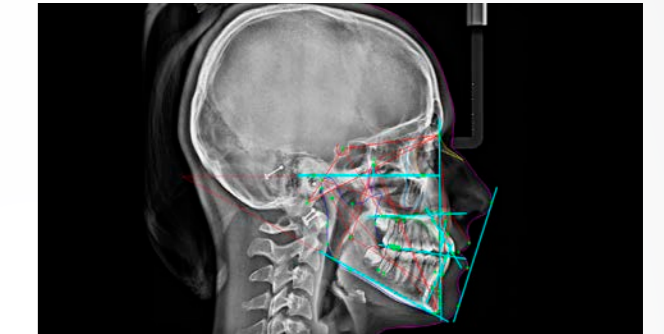
*In Ontario (Canada), the use by dentists of FOVs over 8 x 8 cm is subject to conditions

One System. Four Technologies. More Possibilities.

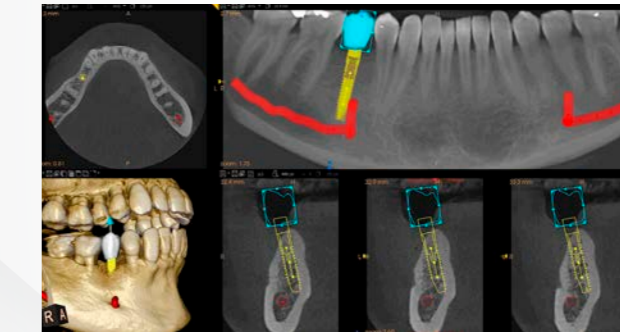
Whether you are a general dentist or an endodontist, the CS 8100 3D is amazingly versatile, enabling you to perform more procedures in your own practice. From two-dimensional panoramic to 3D imaging, the system covers an array of routine examinations, as well as advanced procedures.



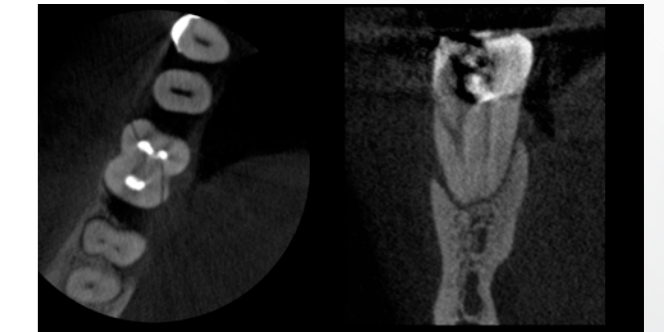
A complete range of panoramic programs, including extraoral bitewing, covers all of your routine needs.



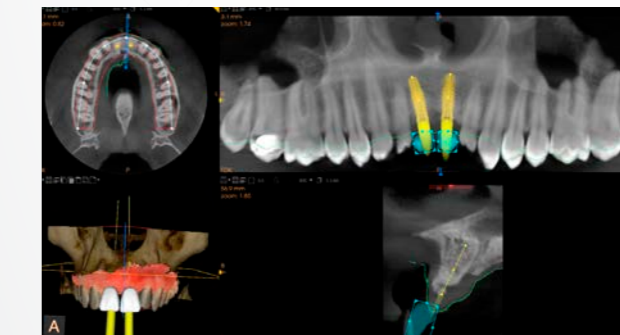
Optional cephalometric module and automatic tracing feature¹ allow you to capture ceph images and trace them in just few seconds.



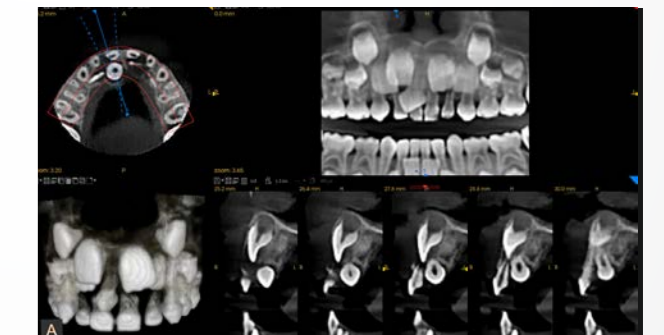
Whether it's for orthodontics, implants, oral surgery or endodontics, 3D imaging gives you what you need for a faster and more accurate diagnosis.



The CS 8100 3D delivers ultra high-resolution images at 75 microns, ideal for endodontic needs.



Plan implants with confidence using virtual crowns and a comprehensive implant library.



The low-dose mode delivers high-quality 3D images at the same or lower dose as a standard panoramic exam for safer examination.³

¹Option

³Based on studies conducted by John Ludlow, University of North Carolina, School of Dentistry, utilizing the CS 8100 3D dose protocol (Aug 2014, Nov 2015, May 2017).